

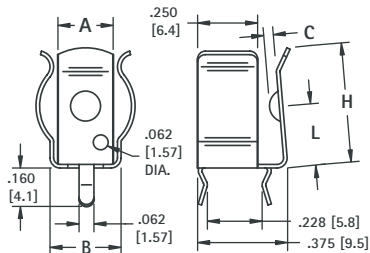


No Ears

- Available for "A" · "AA" · "AAA" · "AAAA" · "N" size batteries
- Mounts securely to the PC board with advanced "Snap-In" design for thru hole mounting
- "Snap-In" clip holds firmly for wave soldering
- Reliable spring tension assures low contact resistance
- Low profile, economical design
- Retains battery securely to withstand shock and vibration

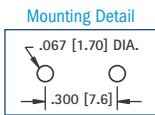


For "A" · "AA" · "AAA" · "N"



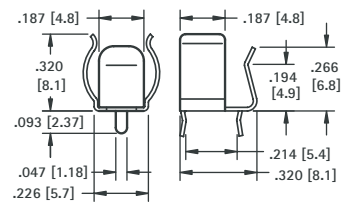
Refer to page 25 for Battery Contact Layout & Mounting Details

**MATERIAL:**  
Spring Steel Tin Nickel Plate

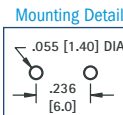


CAT. NO.	A	B	C	H	L	MATERIAL THICKNESS	BATTERY DIAMETER	BATTERY SIZE	
52	.250 (6.4)	-	.032 (0.8)	.500 (12.7)	.280 (7.1)	.010 (.25)	No Ears	"A" · "AA"	
92	.312 (7.9)	.375 (9.5)	.056 (1.4)	.593 (15.1)	.359 (9.1)	.012 (.30)	531-665 (13.5-16.9)		
2915	.312 (7.9)	.375 (9.5)	.050 (1.3)	.593 (15.1)	.359 (9.1)	.015 (.39)		"AAA" · "N"	
82	.250 (6.4)	.300 (7.6)	.040 (1.0)	.500 (12.7)	.280 (7.1)	.010 (.25)	375-460 (9.5-11.7)		
51	See drawing for Cat. No. 51						.010 (.25)	300-350 (7.6-8.9)	"AAAA"

For "AAAA"



**MATERIAL:** .010 (.25) thick Spring Steel, Tin Nickel Plate



CAT. NO. 51

## SURFACE MOUNT BATTERY CLIPS

AVAILABLE ON TAPE AND REEL

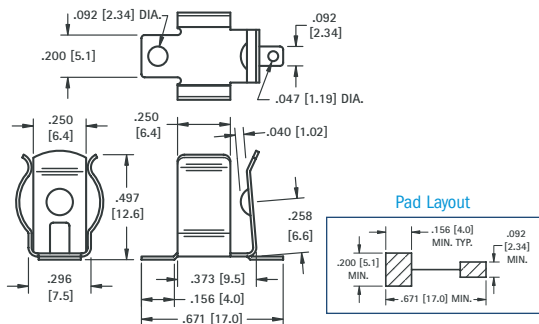
- Low profile for densely packed PCBs
- "Flow-Hole" SMT solder tail design for increased joint strength
- Retains cell securely, withstands shock and vibration
- All conductive polystyrene carrier tape meets ANSI/EIA -481 standard

**MATERIAL:** .010 (.25) thick Spring Steel, Tin Nickel Plate

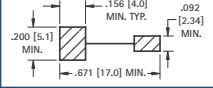
Refer to page 25 for Battery Contact Layout & Mounting Details



For "AAA" · "N"



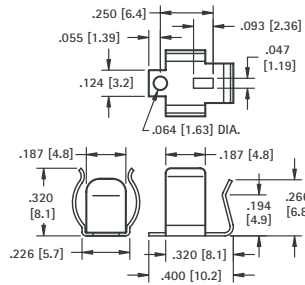
Pad Layout



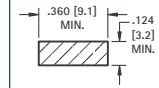
CAT. NO. 55 (Bulk) CAT. NO. 55TR (Tape & Reel)

Tape & Reel Spec's: 32mm wide; 16mm pitch; 13 inch reel, (300 pieces per reel)

For "AAAA"



Pad Layout



CAT. NO. 50 (Bulk) CAT. NO. 50TR (Tape & Reel)

Tape & Reel Spec's: 24mm wide; 16mm pitch; 13 inch reel, (500 pieces per reel)

## ECONOMY CONTACTS

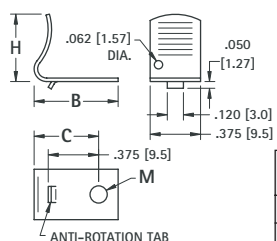
For "AA" · "C" · "D"

- Designed for mounting in self-contained, non-metallic battery compartments.
- Reliable spring tension assures low contact resistance.
- Recessed contact holds battery in place.
- All clips have anti-rotation tab.

**MATERIAL:** .016 (.41) thick Spring Steel, Nickel Plate



FIG. 1



CAT. NO.	FIG. NO.	B	C	H	M MTG. HOLE	CELL SIZE
206	1	.625 (15.9)	.480 (12.2)	.500 (12.7)	.128 (3.3)	"AA"
207	2	.687 (17.4)	.547 (13.9)	.875 (22.2)	.128 (3.3)	"C"
208	2	.750 (19.1)	.562 (14.3)	1.260 (32.0)	.128 (3.3)	"D"

Refer to page 25 for Battery Contact Layout & Mounting Details

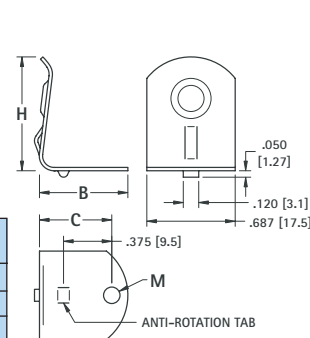


FIG. 2